



## RS5 - 46 dB

Acoustic Steel Door

### Presentation

Metallic acoustic door from the RS range, made up of homologated acoustic doors with high performance and certified insulation. Own manufacture.

### Advantages

Metallic acoustic door.  
Available in single and double leaf. Standard models and special measures. Wide range of accessories.

### Applications



### Technical Data

**Description:** 69mm thick steel acoustic door composed by a frame and leaf manufactured with a 1.5mm thick polished metal sheet. Inner filling: soundproofed and absorbing materials.

Equipped with double perimetral seals.

**Closure:** Pressure using inside cam latch.

**Surface finish:** Synthetic primer (prepared for painting).

**Heat transfer coefficient Ud:** 1,93 W/m²K.

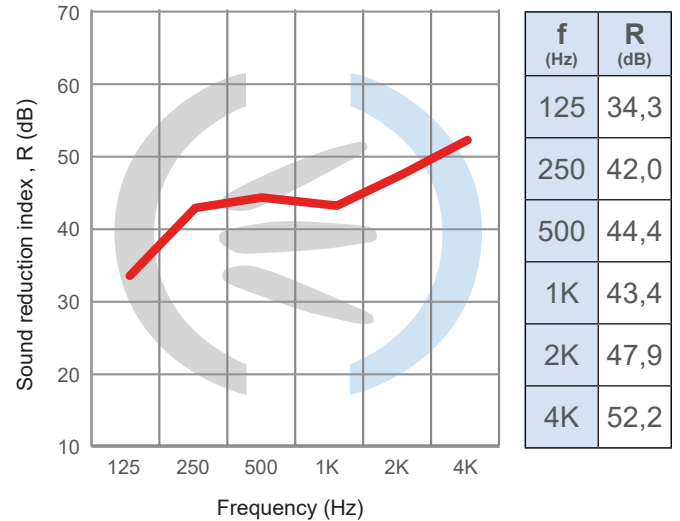
Single leaf (W x H in mm.)		
Model	Int. Dim.	Ext. Dim.
RS5/01	800 x 2000	920 x 2120
RS5/02	900 x 2000	1020 x 2120
RS5/03	1000 x 2000	1120 x 2120

Double leaf (W x H in mm)		
Model	Int. Dim.	Ext. Dim.
RS5/21	1400 x 2000	1520 x 2120
RS5/22	1600 x 2000	1720 x 2120
RS5/23	1800 x 2000	1920 x 2120
RS5/24	2000 x 2000	2120 x 2120

Unequal leaves (800+600) for RS5/21

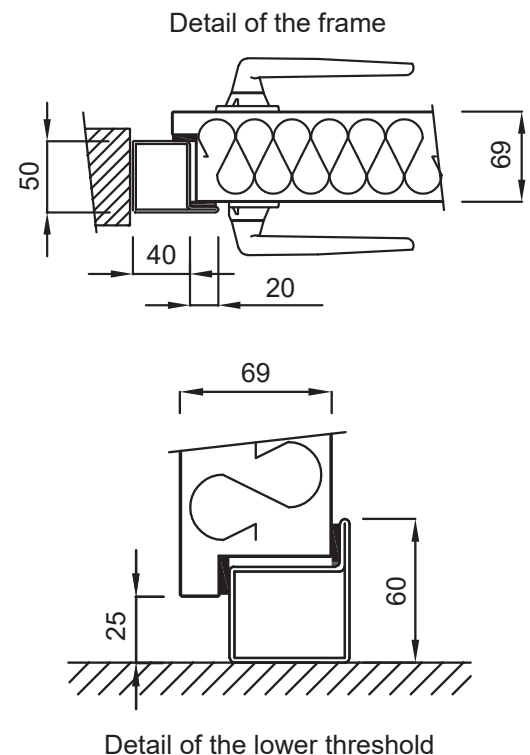
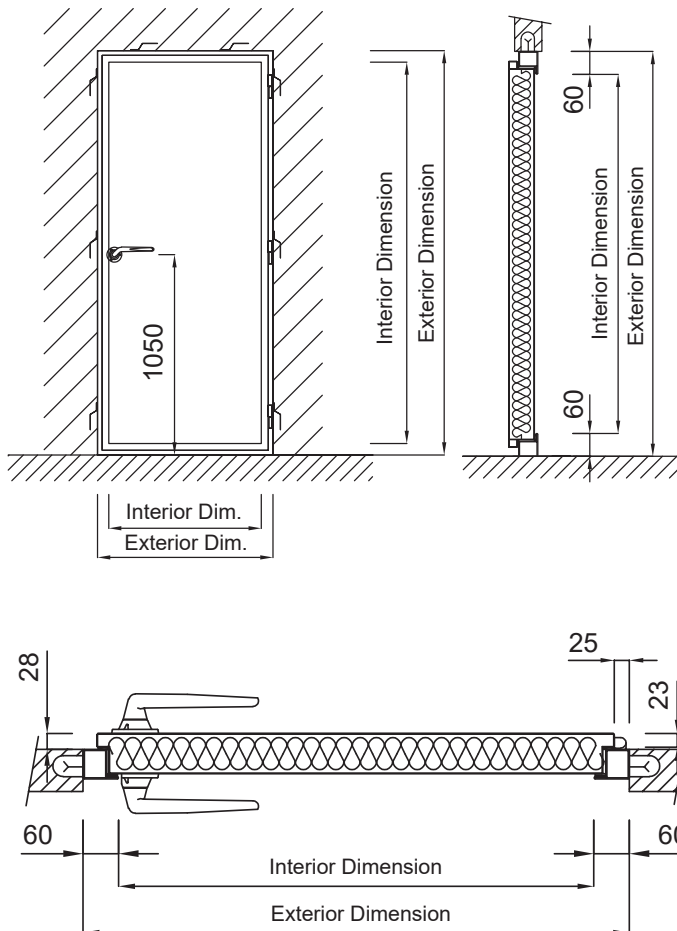
Certification  
**Applus+**

Isolation  
**M 46dB**



RS5	
Overall sound reduction index, $R_w$ (C;Ctr):	46 (0;-3) dB
Overall weighted sound reduction index $A, R_A$ :	45,6 dBA

### Diagrams / Sketch



Remark: Consult the layout sheet for further details.

**Note:** Maximum opening for leaves: 160°