



RS9 - 48 y 52 dB

Acoustic steel doors without lower threshold



PRESENTATION

The range of RS acoustic doors designed and manufactured by Acústica Integral, respond to the market requirements. They are approved high-performance, quality, robust and high yield doors.

ADVANTAGES

Professional door with exceptional acoustic insulation of 48 dB for door without lower threshold and 52 dB for door with lower threshold. Automated self-production. Standard models and special measures. Wide range of accessories.

APPLICATIONS

Test chambers or cabins, radio stations, Dubbing and recording studios, post-production, home cinema, TV sets, rehearsal rooms, music schools. In general, rooms where the utmost acoustic insulation is required.

SPECIAL ACCESSORIES (upon request)

Viewer, exposed lock, push-bar.



TECHNICAL DATA

Description: 91 mm thick acoustic door, made up of metal threshold and leaf in 1.5 mm thick polished sheet, filled with deadening materials.

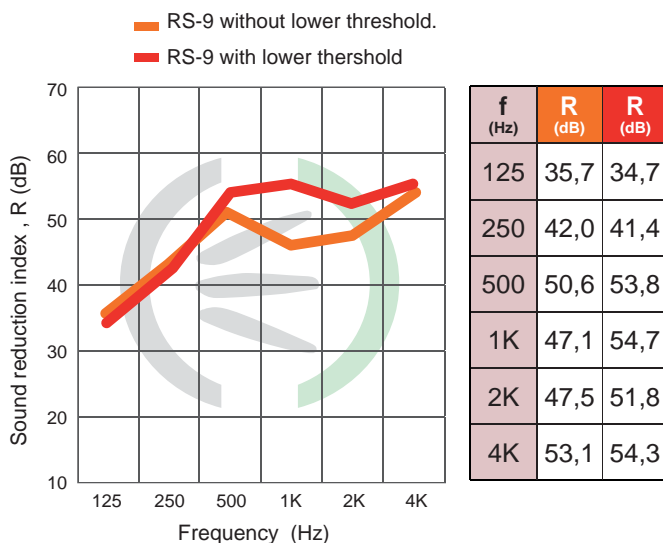
Provided with treble perimeter sealing.

Closure: Pressure closing with interior cam.

Surface treatment: synthetic primer (prepared to be painted).

Thermal transmittance Ud: 1.46 W/m²K.

Acoustic certificate: APPLUS No. 17/13744-91 for door without lower threshold, and No. 17/13744-92 for door with lower threshold. Valid for door without accessories.



| RS9 - Lower threshold | Without | With |
|---|---------------|---------------|
| Overall sound reduction index, R_W (C;Ctr): | 48 (-1;-3) dB | 52 (-2;-6) dB |
| Overall weighted sound reduction index A, R_A : | 48,0 dBA | 50,7 dBA |

STANDARD DIMENSIONS

| Single leaf (W x H in mm) | | |
|---------------------------|-------------|-------------|
| Model | Dim. Int. | Dim. Ext. |
| RS9/01 | 800 x 2000 | 928 x 2063 |
| RS9/02 | 900 x 2000 | 1028 x 2063 |
| RS9/03 | 1000 x 2000 | 1128 x 2063 |

| Double leaf (W x H in mm) | | |
|-------------------------------------|-------------|-------------|
| Model | Dim. Int. | Dim. Ext. |
| RS9/21 | 1400 x 2000 | 1528 x 2063 |
| RS9/22 | 1600 x 2000 | 1728 x 2063 |
| RS9/23 | 1800 x 2000 | 1928 x 2063 |
| RS9/24 | 2000 x 2000 | 2128 x 2063 |
| Unequal leaves (800+600) for RS9/21 | | |

DETAIL OF THE HANDLE



© ACÚSTICA INTEGRAL, S.L. - 2017 - Reserves the right to introduce changes without prior notice.

ASSEMBLY INSTRUCTIONS

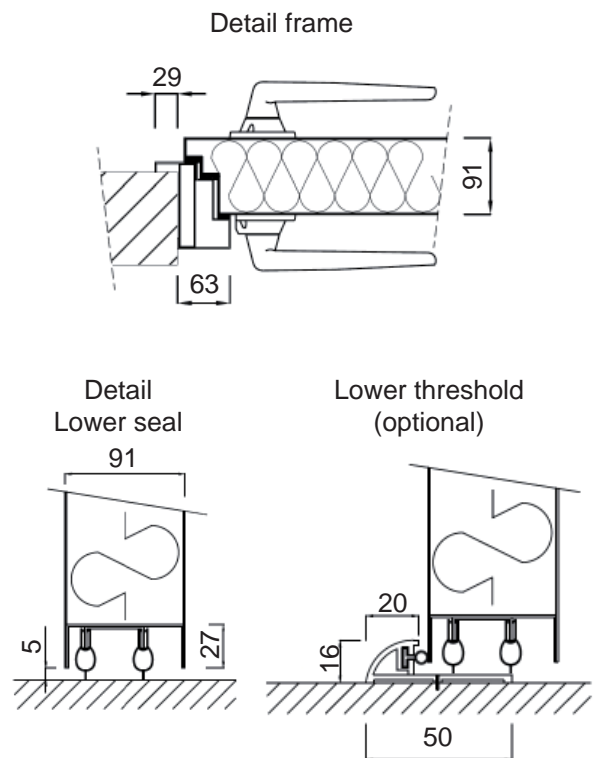
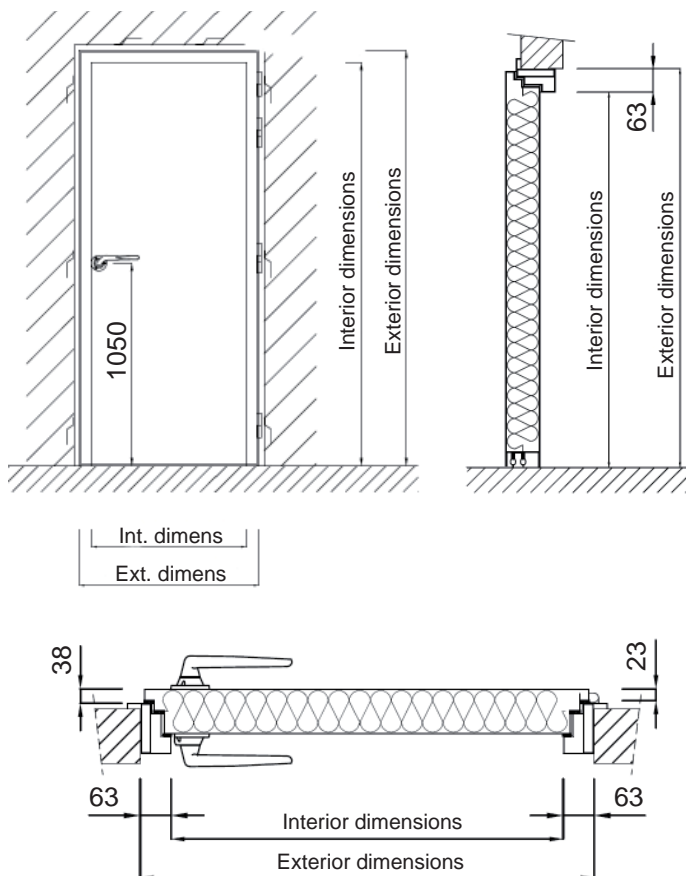
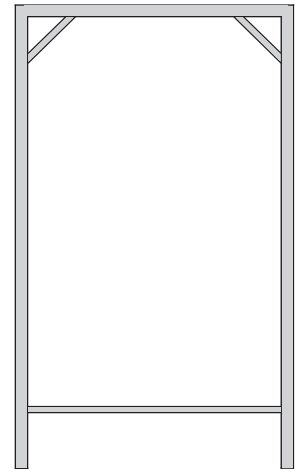
About metallic pre-frame: Firmly fix the metallic pre-frame to the partition wall or the gypsum. Move the acoustic door (frame and leaf), always closed, towards the inside space of the pre-frame and shim the door until it is level. Spot weld for the first time between the door and the pre-frame and check the vertical and horizontal levelling, do not open until definitive welding has been finished. Carry out final welding between the door and the pre-frame, once again check the levelling and open the door to verify that it works correctly. Seal the spans that remain between the pre-frame rim and door with insulating polyurethane foam or acrylic putty if there is just a little space. Keep the door closed as much as possible.

How to use:

- **Fitted with pressure handle:** To open firmly grip the handle, turn it clockwise and push the leaf; to close it, firmly grip the handle, bring the leaf towards the rim and only then turn the handle anti-clockwise until it is closed.
- **Fitted with latch handle:** To open grip the handle, turn it clockwise and push the leaf; to close it, grip the handle and bring the leaf towards the rim.
- **Fitted with panic bar:** To open, push the bar downwards and push the leaf; to close it, grip the bar or handle and bring it towards the rim.

Use restrictions: Do not hit the door with anything that could deform it. Once the leaf is open don't hang on it. Close the leaf gently without banging.

Preventive maintenance: We recommend an annual service, therefore Acústica Integral offers a contract in which we service: Mobile door elements (Hinges, handles and locks): cleaning, oiling, regulation and checking of good working order of all parts. Draught excluders and intumescent joints: substitution of damaged or badly working parts. Checking for looseness.



Note: Maximum opening of the leafs 160°

© ACUSTICA INTEGRAL, S.L. - 2017 - Reserves the right to introduce changes without prior notice.

