

RS9 - 48 to 52 dB

Acoustic steel doors without lower threshold

PRESENTATION

The range of RS acoustic doors designed and manufactured by Acústica Integral, respond to the market requirements. They are approved high-performance, quality, robust and high yield doors.

ADVANTAGES

Professional door with exceptional acoustic insulation of 48 dB for door without lower threshold and 52 dB for door with lower threshold. Automated self-production. Standard models and special measures. Wide range of accessories.

APPLICATIONS

Test chambers or cabins, radio stations, Dubbing and recording studios, post-production, home cinema, TV sets, rehearsal rooms, music schools. In general, rooms where the utmost acoustic insulation is required.

SPECIAL ACCESSORIES (upon request)

Viewer, exposed lock, push-bar.

TECHNICAL DATA

Description: 91 mm thick acoustic door, made up of metal threshold and leaf in 1.5 mm thick polished sheet, filled with deadening materials.

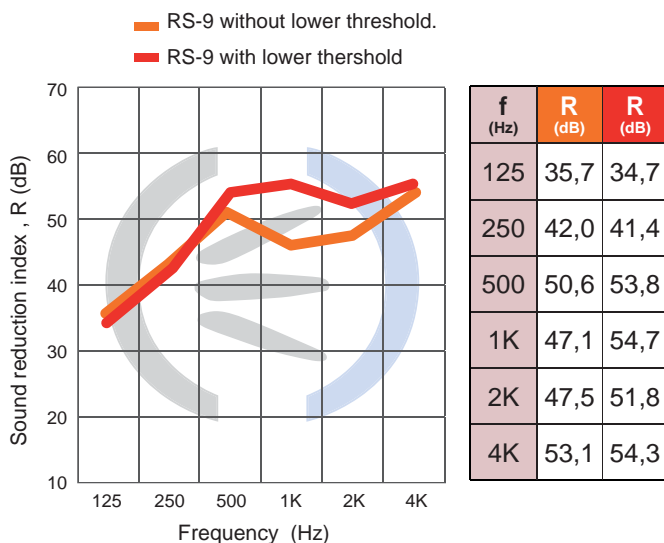
Provided with treble perimeter sealing.

Closure: Pressure closing with interior cam.

Surface treatment: synthetic primer (prepared to be painted).

Thermal transmittance Ud: 1.46 W/m²K.

Acoustic certificate: **APPLUS** No. 17/13744-91 for door without lower threshold, and No. 17/13744-92 for door with lower threshold. Valid for door without accessories.



RS9 - Lower threshold	Without	With
Overall sound reduction index, R_W (C;Ctr):	48 (-1;-3) dB	52 (-2;-6) dB
Overall weighted sound reduction index A, R_A :	48,0 dBA	50,7 dBA



STANDARD DIMENSIONS

Single leaf (W x H in mm)		
Model	Dim. Int.	Dim. Ext.
RS9/01	800 x 2000	928 x 2063
RS9/02	900 x 2000	1028 x 2063
RS9/03	1000 x 2000	1128 x 2063

Double leaf (W x H in mm)		
Model	Dim. Int.	Dim. Ext.
RS9/21	1400 x 2000	1528 x 2063
RS9/22	1600 x 2000	1728 x 2063
RS9/23	1800 x 2000	1928 x 2063
RS9/24	2000 x 2000	2128 x 2063
Unequal leaves (800+600) for RS9/21		

DETAIL OF THE HANDLE



ASSEMBLY INSTRUCTIONS

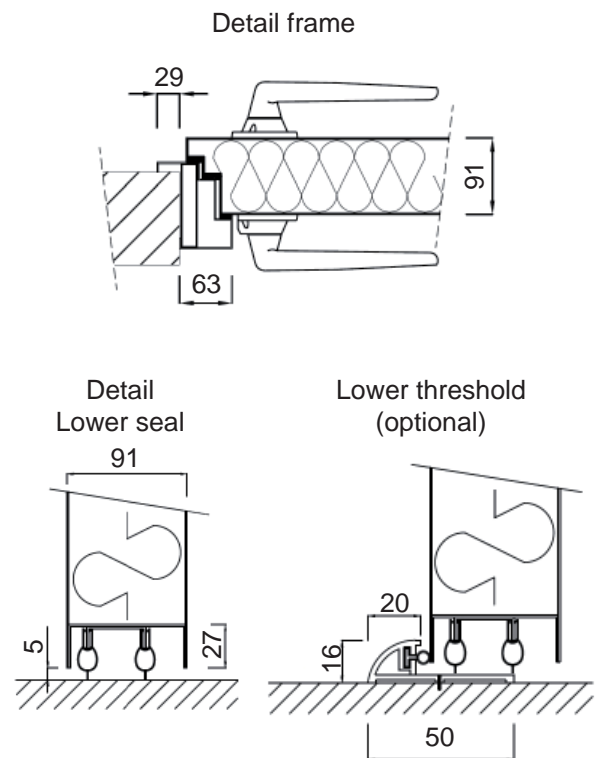
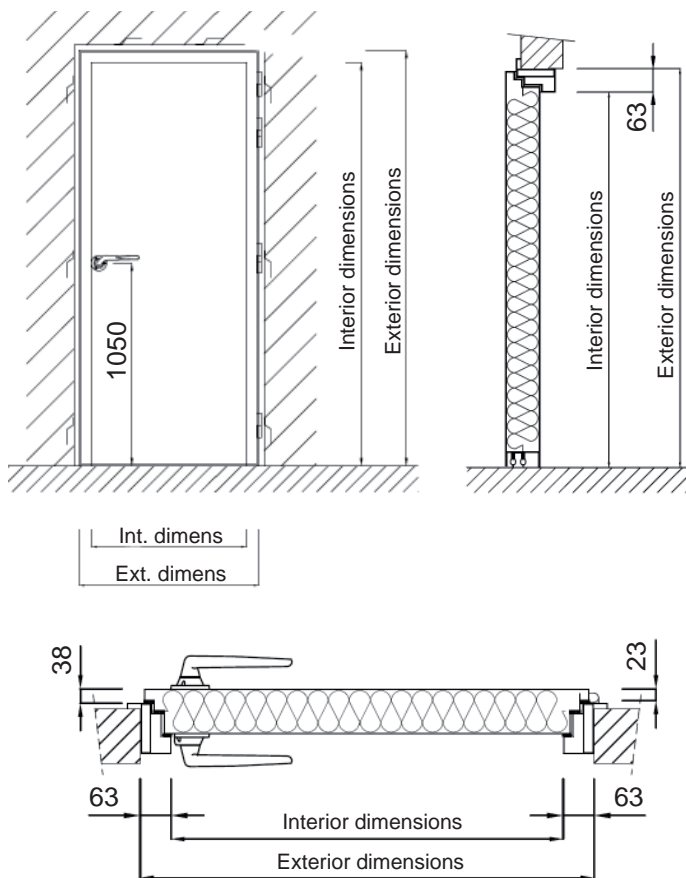
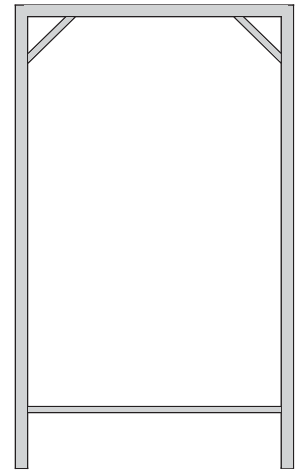
About metallic pre-frame: Firmly fix the metallic pre-frame to the partition wall or the gypsum. Move the acoustic door (frame and leaf), always closed, towards the inside space of the pre-frame and shim the door until it is level. Spot weld for the first time between the door and the pre-frame and check the vertical and horizontal levelling, do not open until definitive welding has been finished. Carry out final welding between the door and the pre-frame, once again check the levelling and open the door to verify that it works correctly. Seal the spans that remain between the pre-frame rim and door with insulating polyurethane foam or acrylic putty if there is just a little space. Keep the door closed as much as possible.

How to use:

- **Fitted with pressure handle:** To open firmly grip the handle, turn it clockwise and push the leaf; to close it, firmly grip the handle, bring the leaf towards the rim and only then turn the handle anti-clockwise until it is closed.
- **Fitted with latch handle:** To open grip the handle, turn it clockwise and push the leaf; to close it, grip the handle and bring the leaf towards the rim.
- **Fitted with panic bar:** To open, push the bar downwards and push the leaf; to close it, grip the bar or handle and bring it towards the rim.

Use restrictions: Do not hit the door with anything that could deform it. Once the leaf is open don't hang on it. Close the leaf gently without banging.

Preventive maintenance: We recommend an annual service, therefore Acústica Integral offers a contract in which we service: Mobile door elements (Hinges, handles and locks): cleaning, oiling, regulation and checking of good working order of all parts. Draught excluders and intumescent joints: substitution of damaged or badly working parts. Checking for looseness.



Note: Maximum opening of the leafs 160°

© ACUSTICA INTEGRAL, S.L. - 2017 - Reserves the right to introduce changes without prior notice.