



RS9 - 48 dB

Professional acoustic door without lower threshold

Presentation

Acoustic metallic door from the RS range, composed of certified high-performance acoustic doors. Own manufacture.

Advantages

Professional high insulation acoustic door. Available in single and double leaf. Standard models and special sizes. Wide range of optional accessories.

Applications



RS9 - 48 dB

FC-RS9_EN
Rev1-15/03/2021

Professional acoustic door without lower threshold

Technical data

Description : 83 mm thick steel acoustic door composed by frame and leaf manufactured with a 1.5 mm. thick polished metal sheet. Inner filling of the leaf : soundproofed and absorbing materials.

Door without lower threshold.

Closure : Progressive pressure handle.

Surface finishing : Synthetic primer, ready for painting.

Heat transfer coefficient Ud: 1,46 W/m²K.

Acoustic certificate: Valid for the door without optional accessories.

Certification



Soundproofing



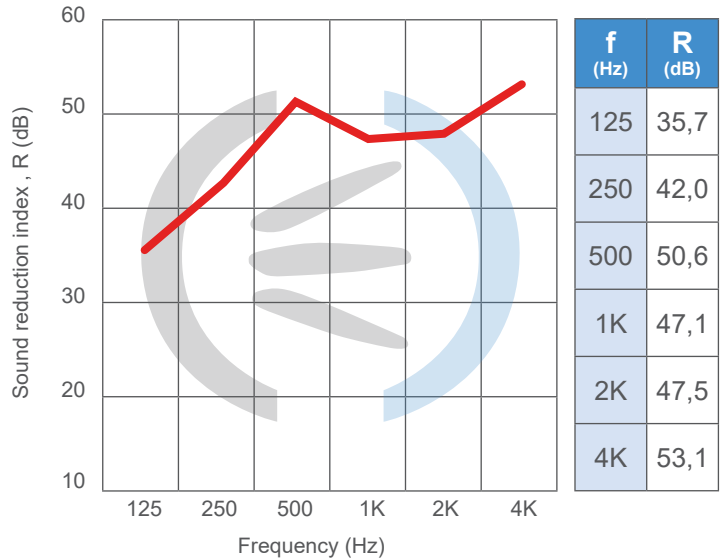
CE Marked



Single leaf (W x H in mm)		
Model	Int. Dim.	Ext. Dim.
RS9/01	800 x 2000	928 x 2064
RS9/02	900 x 2000	1028 x 2064
RS9/03	1000 x 2000	1128 x 2064

Double leaf (W x H in mm)		
Model	Int. Dim.	Ext. Dim.
(*RS9/21	1400 x 2000	1528 x 2064
RS9/22	1600 x 2000	1728 x 2064
RS9/23	1800 x 2000	1928 x 2064
RS9/24	2000 x 2000	2128 x 2064

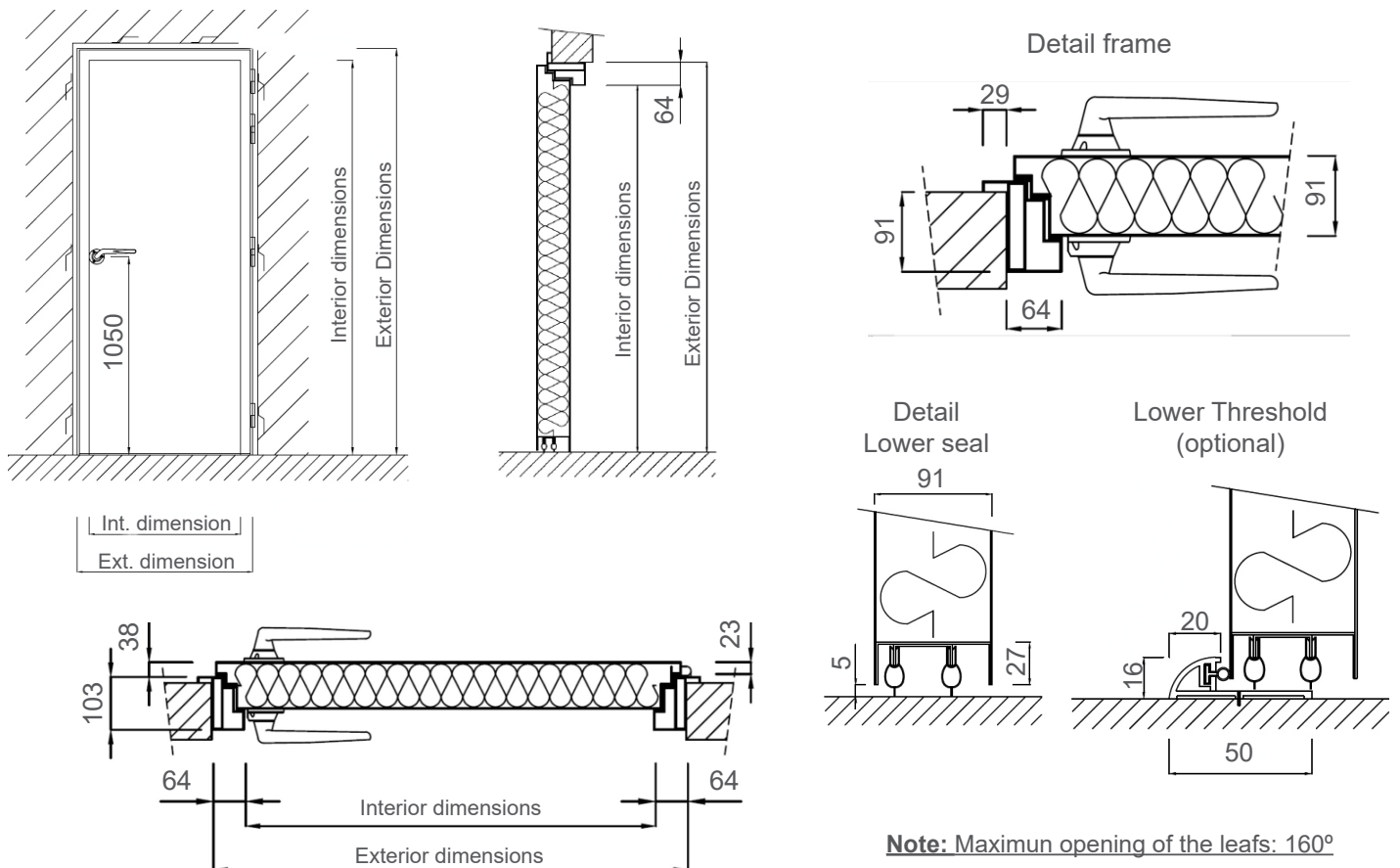
(* Unequal leaves (800+600) for RS9/21



RS9	
Overall sound reduction index, R_w (C;Ctr):	48 (-1;-3) dB
Overall weighted sound reduction index A, R_A :	48,0 dBA

Sound insulation $R_w=52$ dB with lower threshold (optional). Official certificate available.

Plans/Sketches



© ACÚSTICA INTEGRAL, S.L. - 2021 - Reserves the right to introduce changes without prior notice.